

10W HTC CONSTANT VOLTAGE LED DRIVER

BL-HTC-CV-24V-10W



APPLICATION

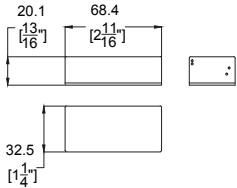
- Constant Voltage DC Output Power Supply for LED Lighting
- Suitable for Dry and Damp Locations

ELECTRICAL

Input Voltage	120V 60 Hz
Input Current	0.22A
Output Voltage	24VDC Constant voltage
Power	10W
Max Current	0.42A
Connections	18 AWG Copper conductors
Efficiency	80%
Operating Temp	-30°C to 60°C (-22°F to 140°F)
Circuit	Class 2

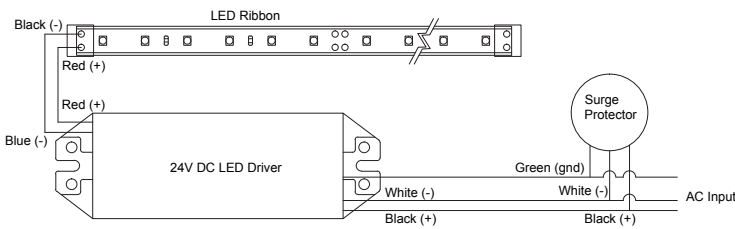
UL 8750 Recognized component
EN61000-3-2

DIAGRAMS - DIMENSIONS

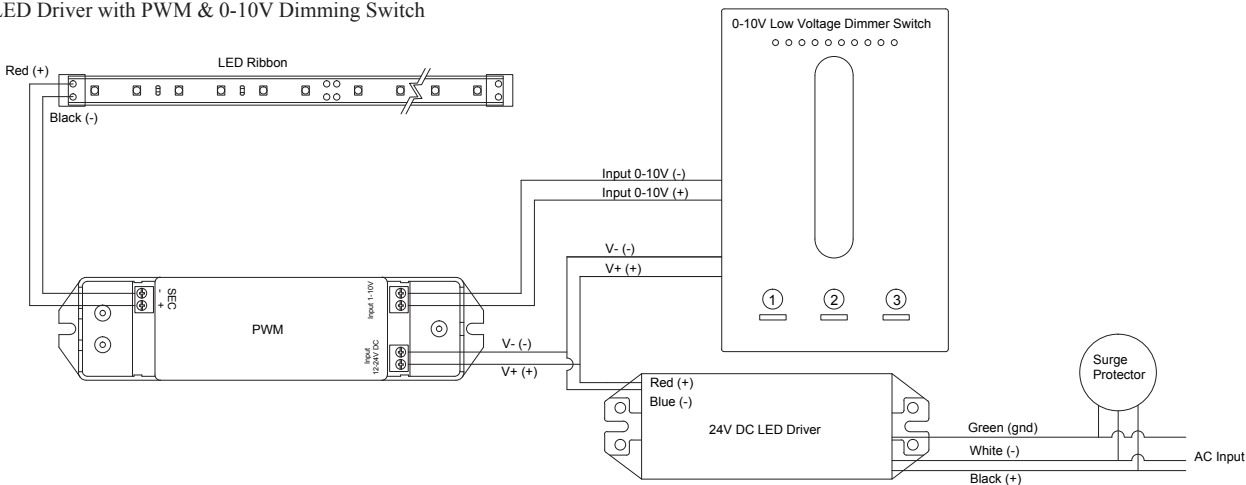


CONNECTION DIAGRAM

LED Driver with LED Ribbon & Surge Protector



LED Driver with PWM & 0-10V Dimming Switch



Actual wire colours may vary - follow labels on the units
Recommended to add 10% buffer when sizing power supply
LED Drivers require enclosures

ORDERING

24V 10W HTC LED Driver
BL-HTC-CV-24V-10W

Surge Protector
BL-SP-277-20KA

Dimming Module
BL-PWM-12/24V-1CH
BL-PWM-12/24V-3CH

Dimming Switch
BL-DIM-SLIDE
BL-DIM-TOUCH

Solid State Lighting is sensitive to power fluctuations
Surge protection is highly recommended for all LED lighting products and should be on a designated circuit to protect against premature failure
Lack of surge protection may void your warranty

BL-HTC-CV-24V-10W - Page 1 -
07.16.2015

Specifications subject to change without notice



INNOVATIVE
LIGHTING

111 - 8838 Heather St. Vancouver BC Canada V6P 3S8
Ph: 1-604-874-4405 • Fx: 1-604-321-0445 • www.bllighting.com • sales@bllighting.com